

megamount 701



Option help arms

Automatic tyre changer with Quadraclamp 4- clamping cylinders.

That is self-evident for us:

- Pneumatic forward/back swinging mounting arm
- Up and down movement of operating arm by spring
- Rim clamping inside 12-26 inches, outside 10-24 inches
- Maximum rim width 15 inches
- Maximum tyre diameter 1000 mm
- 10 bar operating pressure regulator with manometer and water separator
- Inflating pressure limiting device 3,5 bar (CE)

The competition might not have this:

- Bead breaker 3,2 tons also for the stiffest tyres.
- Mounting column with 41mm diameter.
- Double speed turntable bidirectional rotation system with hand switch.
- Hand lock to additionally fix the horizontal part of the mounting arm



For all problems the right solution:



- MOUNTING ARM
- MOUNTING SHAFT
- MOUNTING HEAD

Tiltable back and forth pneumatically

Extreme rigid construction. Manufactured from precision cast-steel. Pneumatic height adjustment

Optimised profile for high efficiency when working with different dimensions of tyres and rims. AUTOMATIC ANGLE MECHANISM for correct setting in vertical, horizontal and diagonal position.



- BEAD BRAKER
- CLAMPING SYSTEM

Zinc plated high power cylinder 3,2 tons. Special contoured flexible blade

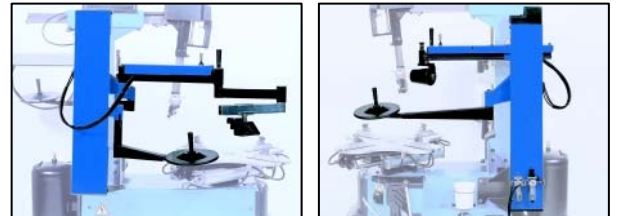
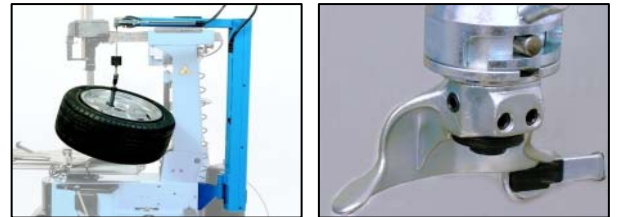
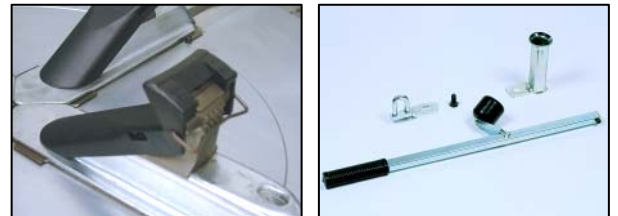
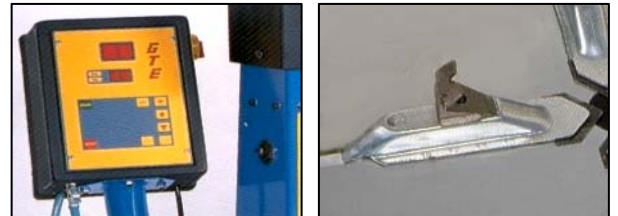
Self-centring four jaw chuck with two rotation speeds (7 und 14 rpm). Markings for the pre-selection of the clamping jaws.

This comes with the machine:

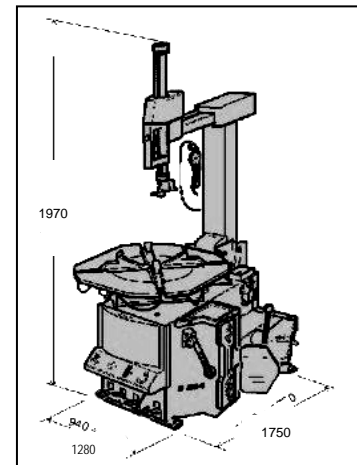
- Lubricator
- Grease holder
- Tyre lever
- 10 bar operating pressure regulator with manometer and water separator
- CE 3,5 bar inflating pressure limiting device

Options intelligent and universal

- Filling systems through clamping jaws (Tubeless) (to be ordered simultaneously with the machine)
- Protecting caps for mounting alloy rims
Allows also tubeless filling of alloy rims
- Bead braking tool **megafit** for extreme low profile tyres
- Pneumatic wheel lift
- Quick locking system for different mounting heads
- Helping arms for the mounting of extreme low profile tyres



Technical Data	
Compressed air supply	8 to 12 bar
Three-phase motor	230 - 400 V / 50 Hz / 550 W
Motor single phase (Option)	220 V / 50 Hz 750 W
Self-centring lock external	10 - 24 inches
Self-centring lock internal	12 - 26 inches
Max wheel diameter	1000 mm
Max rim width	15 inches
Bead braker pressure	3200 kg
Dimensions, packed (WxDxH)	1080x920x1070 mm
Gross weight, packed	290 kg



HOFMANN MEGAPLAN GMBH
 Hauptstraße 59
 A-5302 Henndorf · Austria
 Tel: +43-6214-646612 Fax - 646622
company@hofmann-megaplan.com
www.hofmann-megaplan.com